

REVISIONS					
NO.	DATE	ECN #	REMARKS	BY	APPD.
1	7-29-96		CHANGED PORCELAIN NOTE: TOLERANCE FROM ±.003" TO ±.03". MODIFIED DIMENSION.	TLH	JFS
2	8-20-96		CORRECTION TO DWG. DIM.: 2.90" TO 2.96".	TLH	JFS
3	01-22-97		ADDED PORCELAIN NOTE 1 & 4	BTD	LHE
4	3-18-99		REVISED PORCELAIN AND DIMENSIONS.	CJT	LHE
5	11-22-99		EDITED DIMENSIONS.	CJT	LHE
6	12-13-99		EDITED DIMENSIONS.	CJT	LHE
7	1-10-02	HJ01-231	REMOVED TORQUE NOTE.	CJT	LHE

NOTES:

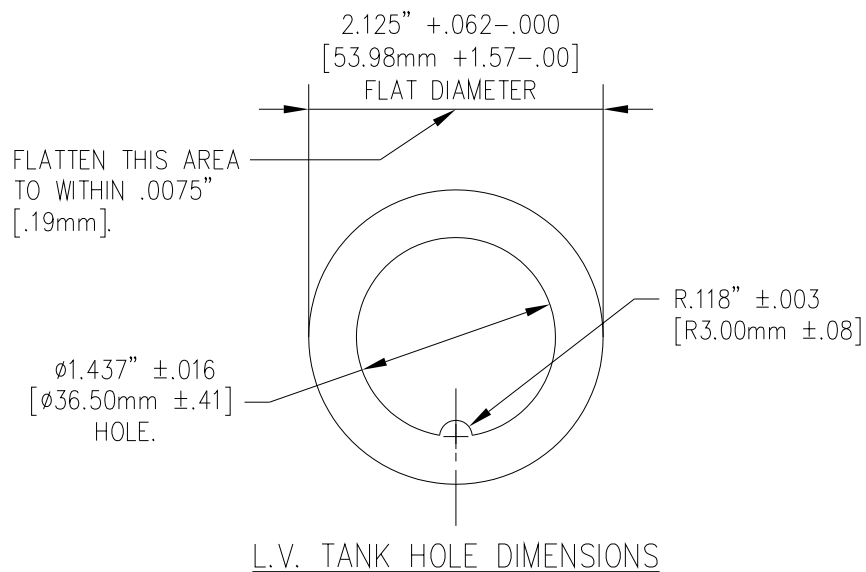
1. INCLUDES TWO EXTRA BRASS NUTS.

△ PORCELAIN NOTES:

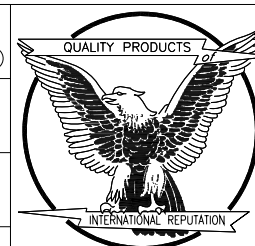
1. WET PROCESS ELECTRICAL PORCELAIN
2. GREY GLAZE MUNSELL 5BG 7.0/0.4
- △ 3. TOLERANCE ±3% WITH NOTHING LESS THAN ± .03
4. PORCELAIN IS INSPECTED TO H-J ENTERPRISES' INSPECTION GUIDELINES AND STANDARDS DOCUMENT P0161997

MATERIAL:

STUD - COPPER CDA 11000.
 BODY - CDA 84400 TIN PLATED.
 EYEBOLT - CDA 95500 TIN PLATED



TOLERANCES (EXCEPT AS NOTED)
DECIMAL ± .032"/.8mm
FRACTIONAL ±
ANGULAR ± 2°



H-J ENTERPRISES, INC.
 3010 HIGH RIDGE BLVD. HIGH RIDGE, MO. 63049 USA
 PHONE 1-636-677-3421 FAX 1-636-376-1915

25 KVA L.V. BUSHING ASSEMBLY
WET PROCESS PORCELAIN

MATERIAL (SEE ABOVE)

CHK'D	APP'D	DRAWING NO.
		AS1001-008

DRAWN BY TLH DATE 4-9-96 SCALE N.T.S.